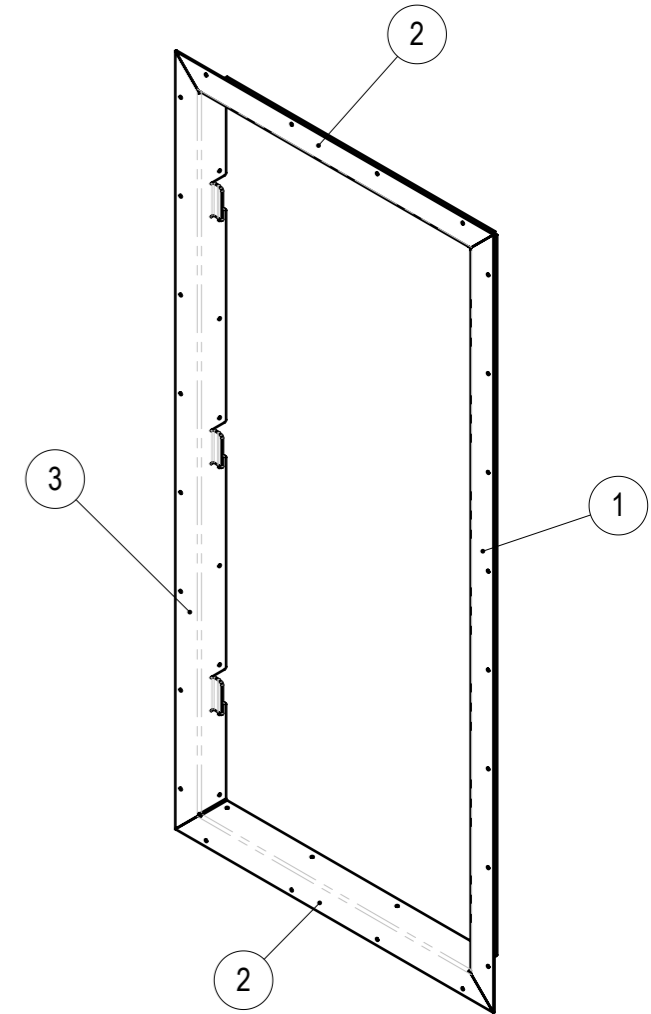
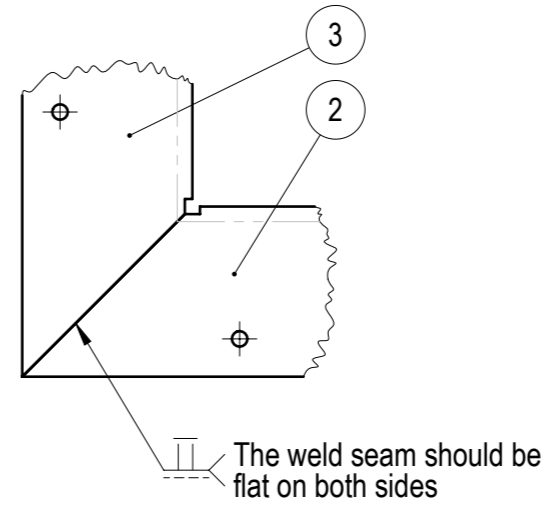


A
SCALE: 1 : 2
The same for all four corners



NO.	PART NO	DESCRIPTION	MATERIAL	PROCESSING	REVISION	WEIGHT	QTY
1	105-30235-01	Sheet 1	S355JR	LCB		1.70	1
2	105-30235-02	Sheet 2	S355JR	LCB		0.75	2
3	105-30235-03	Sheet 3	S355JR	LCB		1.68	1

WEMPS ENGINEERING SERVICES	MATERIAL	WEIGHT	DEBURR AND BREAK SHARP EDGES DO NOT SCALE DRAWING		REVISION	DATE
	-	4.879 Kg				13.05.2025
	SURFACE PROTECTION	MACHINING	THERMAL CUTTING	WELDING	SCALE	FORMAT
	Painting C3.09 ISO12944	ISO 2768 mK	ISO 9013 221	ISO 13920 BF	1:5	A3
	NAME	SIGNATURE	PART NO.			
Designed by	M. Supols		105-30235-00			
Drawn by	M. Supols		DESCRIPTION			
Technical ref.			Inner hatch frame weldment			SHEET 1/1